



CONTROL BOXES AND BATTERY BACK-UP

702

For knife gate valve series 702/73

The water valve control unit (WCU) is designed to perform the opening and closing of valves used in wastewater applications.

Product description:

The WCU is very easy to install and is suitable in new projects as well as in maintenance tasks as replacement or rebuilding of a valve unit. WCU is compatible with LINAK actuators LA36 and LA37 and is available in two different versions:

WCU-Basic for analog and digital communication.

WCU-BUS for Profi Bus communication.

The external battery back-up WCU-UPS can as option be connected to the WCU to ensure an always fully operational valve unit in case of failure in the main power supply.

Technical data:

WCU-Basic / Bus:

Connection:	1 unit
Fuse:	1,6 A (ø 5x20 mm)
Max. current:	13 A
Intermittens:	Max. 10 %
Output:	24 V DC
Power supply:	230 V AC

Operating temperature: -20°C to +40°C

WCU-Ups:

Power supply:	23-34 V DC
Power consumption - connected:	Max 0,9 A (charging) 0,25 mA (standby)

Battery:	2x VRLA 12V-1,2 Ah
Power consumption - battery:	4 mA standby sleep mode 0,5 mA

Output:	5 A (continuous) 12 A 5 min., 15 A 10 sec.
---------	--

Charging current:	Max. 0,5 A
Output type:	PNP max. 20 mA

Features:

Signal OUT:	In end positions
Housing material:	Polycarbonate
Protection class:	IP 66
Control signal:	Analog 4-20 mA or digital ON/OFF (Always 4-20 mA FB signal)
Control:	Manual or SRO
Display:	In front showing actual valve position (0-100%)
Signals:	- Overcurrent - Manual / Auto

Options:

External battery back-up unit.
Integrated BUS-communication module (profibus)



Valve control, Basic / Bus

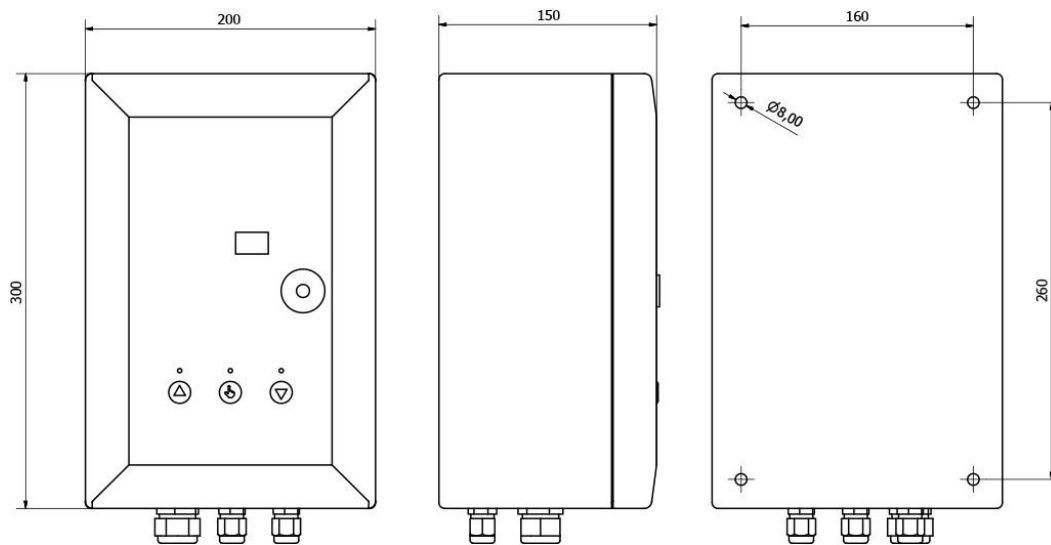


Battery back-up

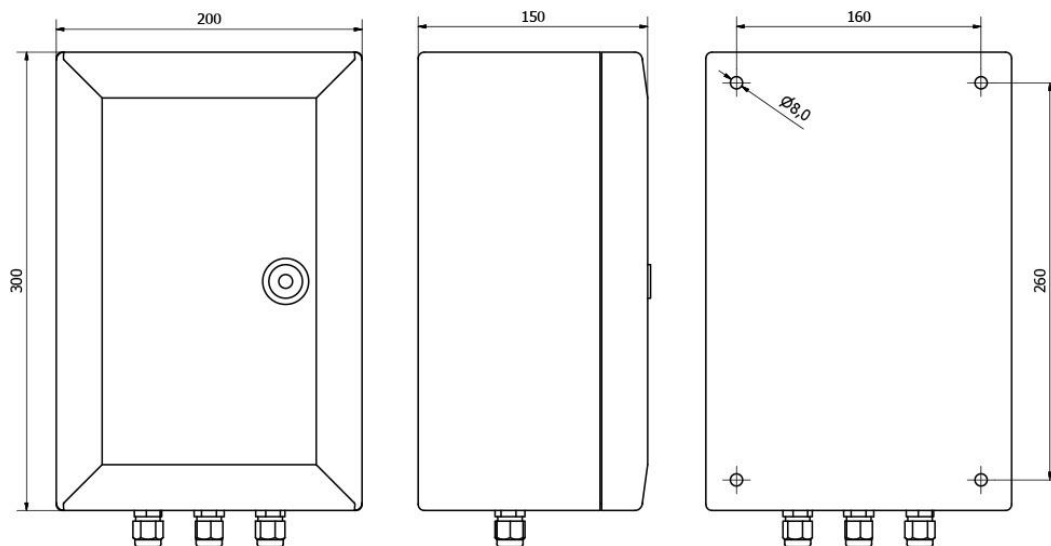
Expect... **AVR**

for knife gate valve series 702/73

**Motor control unit:
WCU-Basic/WCU-BUS**



**Battery back-up:
WCU-UPS**



Reference nos. and dimensions

AVK ref. nos.	Manufacturer's part nos.	Designation
702099010	TREM-0000-0073-DK	Control unit WCU Basic, on/off, reg 4-20 mA
702099012	TREM-0000-0077-DK	Control unit WCU Bus, on/off, reg 4-20 mA
702099016	TREM-0000-0065-DK	Battery back-up WCU UPS
702099020	0367046-1500	Cable 1,5 m for motor
702099022	0367046-5000	Cable 5,0 m for motor
702099024	0367046-10000	Cable 10,0 m for motor
702099026	0367049-1500-B	Cable 1,5 m for signal
702099028	0367049-5000-B	Cable 5,0 m for signal
702099030	0367049-10000-B	Cable 10,0 m for signal